

DIRECT FIRED TEMPERATURE CONTROL WITH INTEGRAL SELECTOR AND OPTIONAL REMOTE CONNECTION

# DFC-X

The **DFC-X** is a microprocessor based control that uses an intelligent PID software algorithm to modulate gas flow in direct fired make up air applications.



- Built in 10 Second Low Fire Start Timer
- 0-24V DC Modulating Output
- 24V AC Power
- Option to use remote dial or integral selector
- Automatic remote detection
- Fits 1/4" Wiring Terminals
- Rated for -40°F (-4°C)
- Industry Standard Mounting



## Description

The DFC-X is a microprocessor based control that utilizes an intelligent PID software algorithm to modulate gas flow to a burner in direct fired make up air applications. The closed loop system contains three components including the temperature sensor (TS-01), the direct fired control (DFC-X), and the direct fired temperature dial (DFTD) or the remote display unit (RDU). The system compares the discharge temperature of the heating unit to the set point dial 40 times per second insuring accurate and repeatable temperature control.

## Suggested Specifications

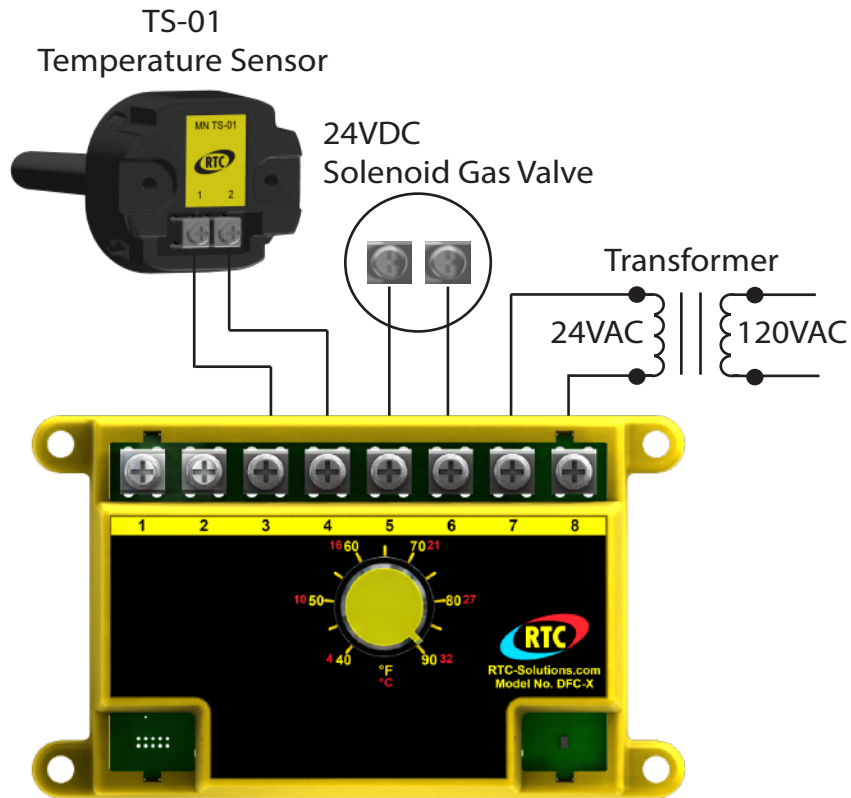
All control wiring should be shielded with the shielding grounded at one end only and/or the wiring should be run in separate conduit from any high voltage wires. The DFC-X control should be mounted in a housing free from the elements of weather. Insulated fork terminals are recommended for best contact when attaching wiring to the provided screw terminals. The DFC-X can drive up to a .5 amp 24VDC direct acting solenoid.

RTC Solutions  
4380 Oakes Road, Suite 804  
Davie Fl, 33314  
Ph. (877) 351-4702



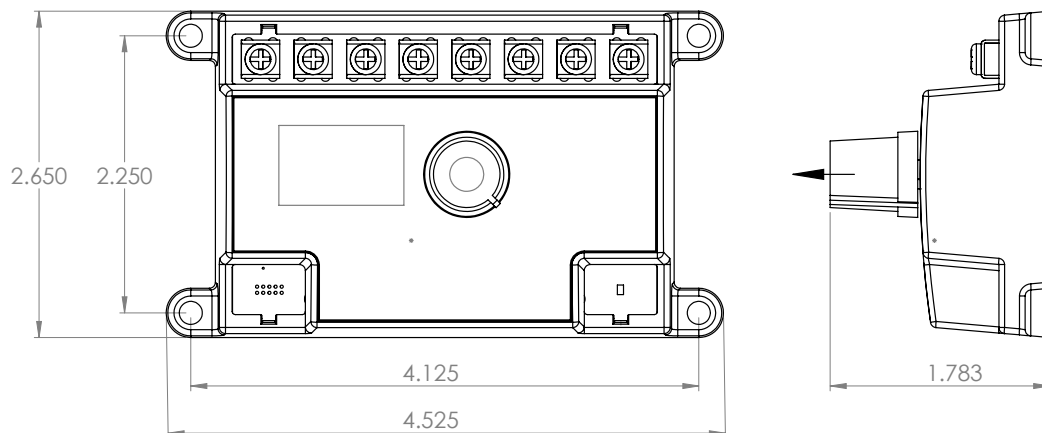
DIRECT FIRED TEMPERATURE CONTROL WITH INTEGRAL SELECTOR AND OPTIONAL  
REMOTE CONNECTION

# DFC-X



DFC-X Specifications

Power Requirements	24VAC 50/60Hz 20V A Isolated Class II Transformer
DFC Ambient Temperature Limits	
Storage	-40°F -140°F (-40 - 60°C)
Operating	-40°F -140°F (-40 - 60°C)
Accuracy	40°F -250°F (4 - 121°C)



RTC Solutions  
4380 Oakes Road, Suite 804  
Davie Fl, 33314  
Ph. (877) 351-4702

